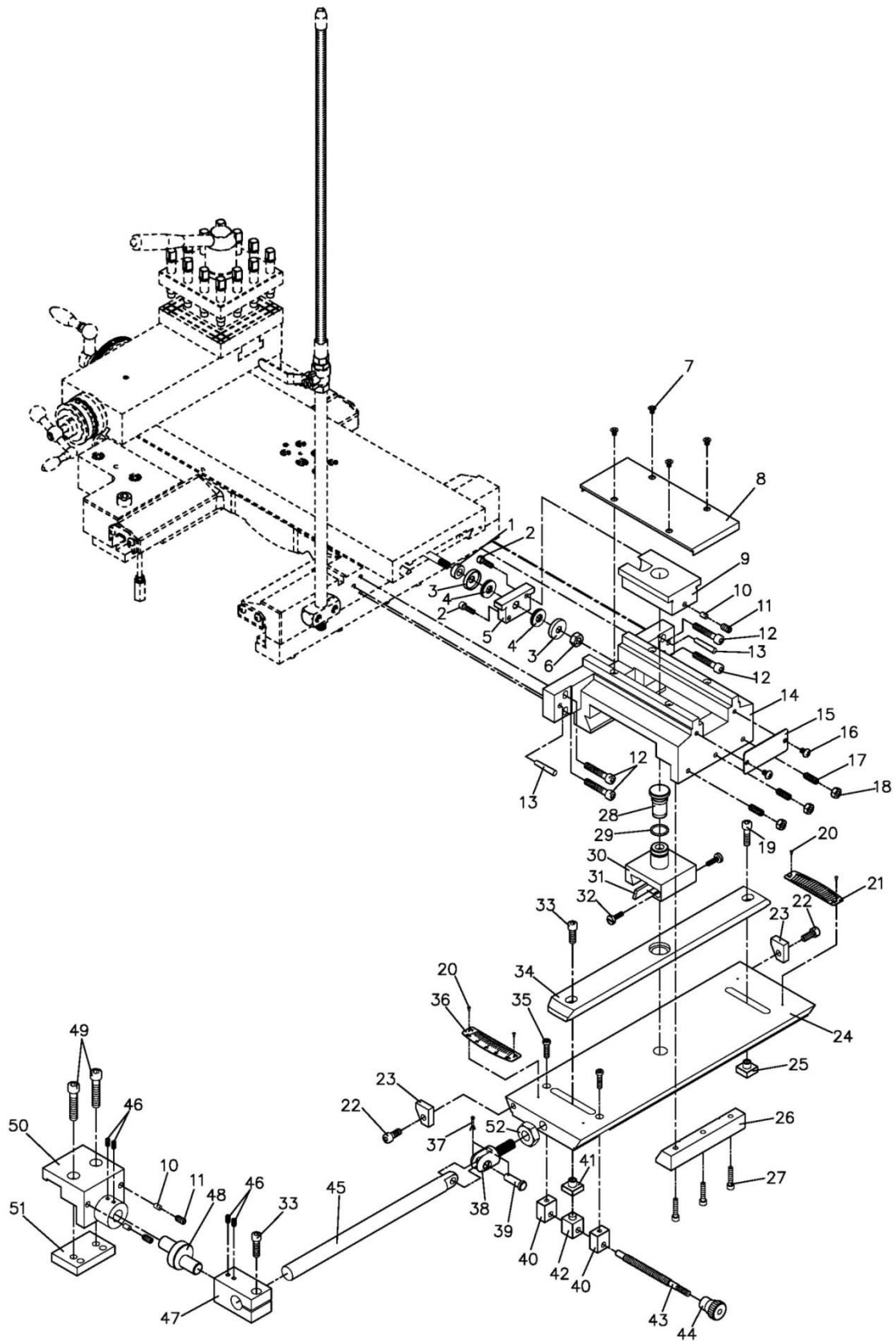


Taper Attachment Assembly for EGH-1740, 1760 JET® ELITE Lathes



Taper Attachment Assembly for EGH-1740, 1760 JET® ELITE Lathes

Index No.	Part No.	Description	Size	Qty.
	892157	Taper Attachment Assembly (#1 thru 52)		1
1	EGH1740-T01	Collar		1
2	TS-1503051	Hex. Socket Head Bolt	CAP 6x20	2
3	EGH1740-T03	Cap Collar		2
4	EGH1740-T04	Thrust Bearing	NTB / AS2-1226	2
5	EGH1740-T05	Yoke Plate		1
6	TS-1540071	Nut	M10	1
7	EGH1740-T07	Flat Hexagon Screw	M6x8	4
8	EGH1740-T08	Cover Plate		1
9	EGH1740-T09	Yoke		1
10	EGH1740-T10	Copper Pin		3
11	EGH1740-T11	Set Screw	M8x6	3
12	TS-1504091	Hex. Socket Head Bolt	CAP 8x45	4
13	EGH1740-T13	Taper Pin	#6x1½"	2
14	EGH1740-T14	Main Bracket		1
15	EGH1740-T15	Plate		1
16	TS-1534032	Done Cross Screw	M6x10	2
17	TS-1524061	Set Screw	M8x25	3
18	TS-2311081	Hexagon Nut	M8	3
19	TS-1504061	Hex. Socket Head Bolt	CAP 8x30	2
20	EGH1740-T20	Rivet	Ø2	4
21	EGH1740-T21	Name Plate		1
22	TS-1504041	Hex. Socket Head Bolt	CAP 8x20	2
23	EGH1740-T23	Stop		2
24	EGH1740-T24	Plate		1
25	EGH1740-T25	Nut		1
26	EGH1740-T26	Gib		1
27	TS-1503071	Hex. Socket Head Bolt	CAP 6x30	3
28	EGH1740-T28	Slide Pivot Pin		1
29	EGH1740-T29	O Ring	P21	1
30	EGH1740-T30	Side Block		1
31	EGH1740-T31	Gib		1
32	EGH1740-T32	Screw		1
33	TS-1504051	Hex. Socket Head Bolt	CAP 8x25	2
34	EGH1740-T34	Swivel Slide		1
35	TS-1503061	Hex. Socket Head Bolt	CAP 6x25	2
36	EGH1740-T36	Name Plate		1
37	EGH1740-T37	Split Pin	Ø2.5x16	1
38	EGH1740-T38	Bolt		1
39	EGH1740-T39	Pin		1
40	EGH1740-T40	Block		2
41	EGH1740-T41	Nut		1
42	EGH1740-T42	Block		1
43	EGH1740-T43	Screw		1
44	EGH1740-T44	Knob		1
45	EGH1740-T45	Bolt		1
46	TS-1523041	Set Screw	M6x12	4
47	EGH1740-T47	Bracket		1
48	EGH1740-T48	Eccentric Pin		1
49	TS-1505081	Hex. Socket Head Bolt	CAP 10x50	2
50	EGH1740-T50	Bracket		1
51	EGH1740-T51	Hub		1
52	TS-154009	Nut	M14	1